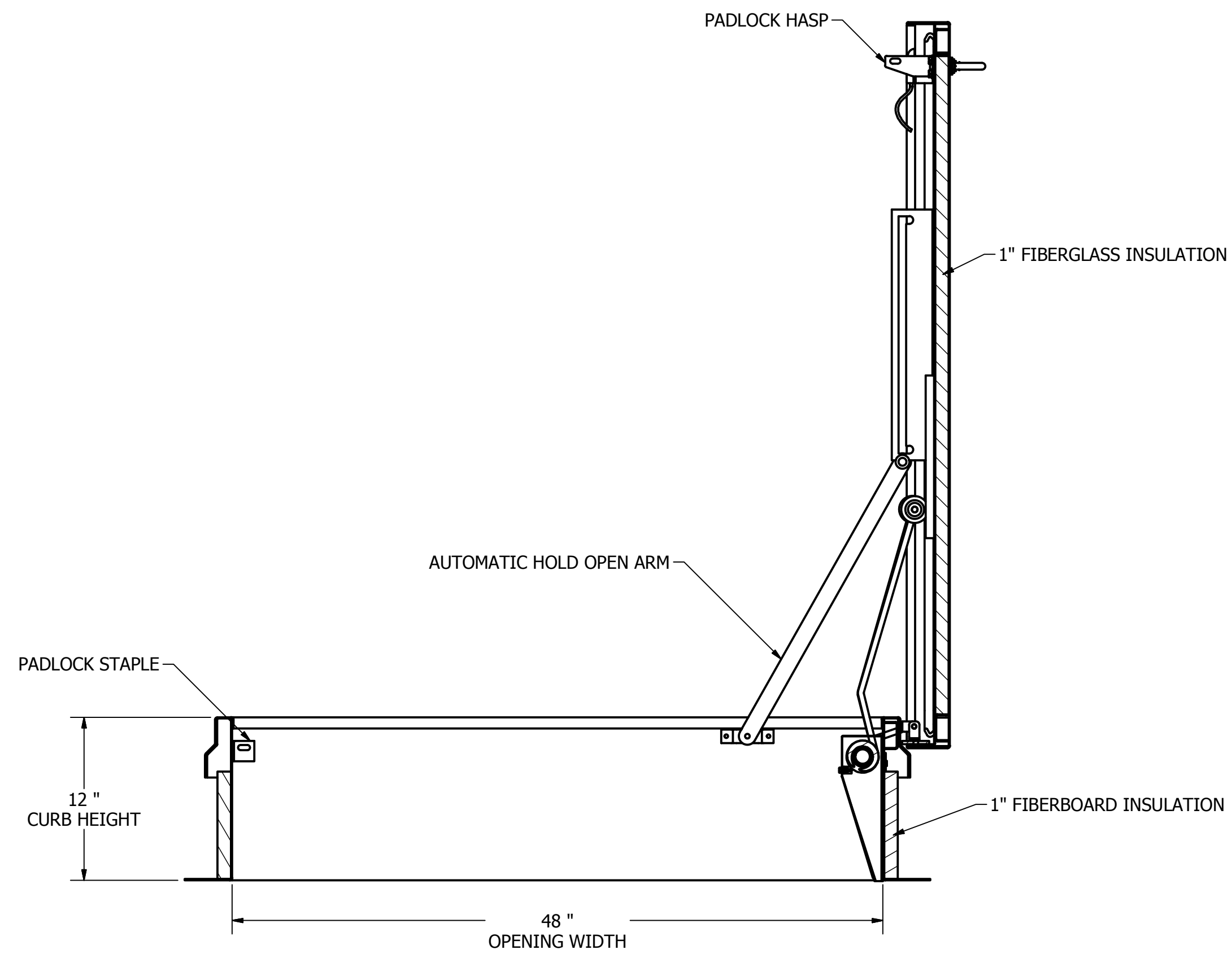
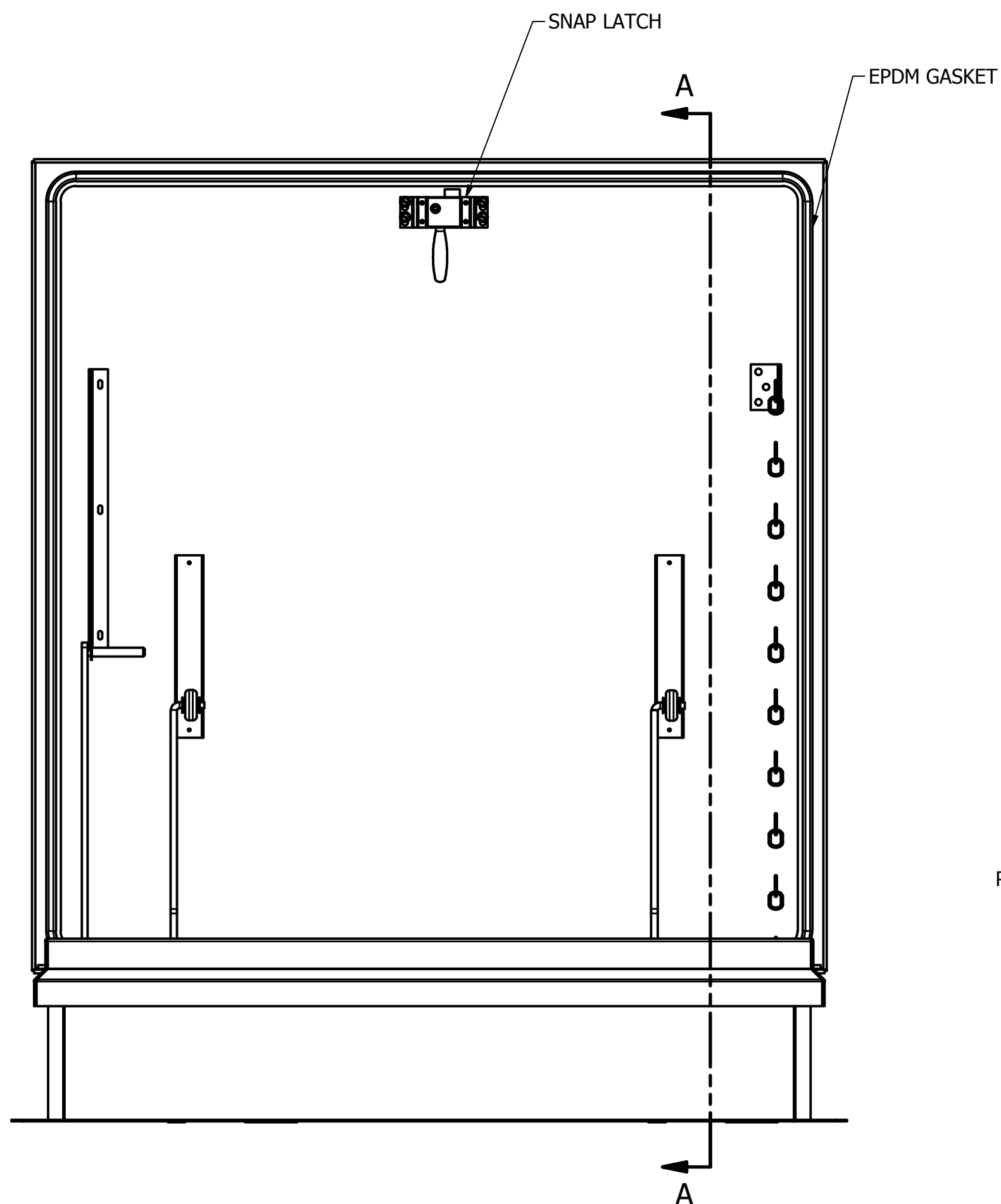


- NOTES:
- SIZE: RD-4'0"X4'0"
- 1) 40psf COVER LIVE LOAD RATING
 - 2) MILL FINISH
 - 3) MATERIALS:
 - .090 ALUMINUM, COVER
 - .090 ALUMINUM, CURB
 - .090 ALUMINUM, COUNTER FLASHING
 - .063 ALUMINUM, COVER LINER



SECTION A-A

ORDER WILL NOT BE RELEASED FOR FABRICATION UNTIL SIGNED COPY IS RECEIVED.

VERIFICATION AND APPROVAL OF GENERAL ARRANGEMENT AND OVERALL DIMENSIONS FOR THIS DOCUMENT ARE REQUIRED BEFORE THE ORDER IS ENTERED FOR MANUFACTURING.

APPROVAL SIGNATURE _____

TITLE HELD _____

DATE OF APPROVAL _____

DRAWN	CMD	3/2/2015	Hart & Cooley Inc. 5030 Corporate Exchange Blvd. SE Grand Rapids, MI. 49512 Ph: 800-624-8642		
CHECKED	MILCOR		TITLE		
QA	TOLERANCE UNLESS SPECIFIED		RD-4X4 SINGLE LEAF ROOF HATCH		
MFG	.XXX ± 0.005"		SIZE	DWG NO	REV
APPROVED	.XX ± 0.01"		D	3501-306-9	--
	FRACT. ± 1/16"		SCALE		
	ANGLES ± 1'		SHEET 1 OF 1		